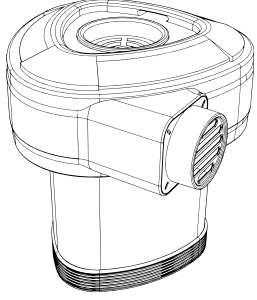
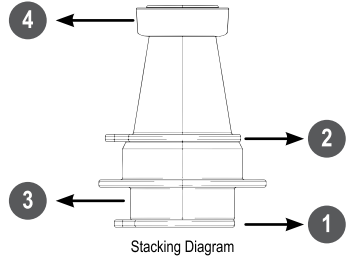


INSTRUCTION MANUAL  
**MONSTAPUMP**



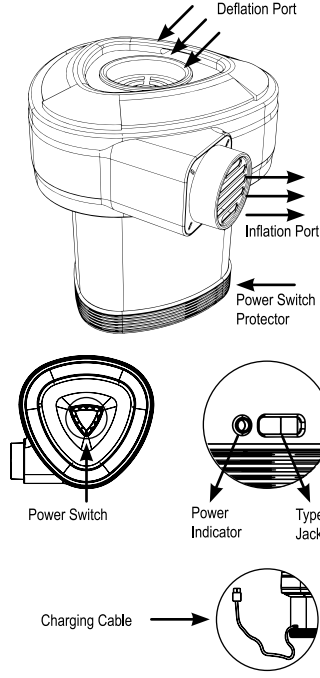
Product Code: 0251301-001

**NOZZLES**



- 1** Small Inflatable Toy Nozzle
- 2** Boston Valve Nozzle
- 3** Zempire Monstamat/ Monstabed Nozzle
- 4** Classic Brass Valve Nozzle

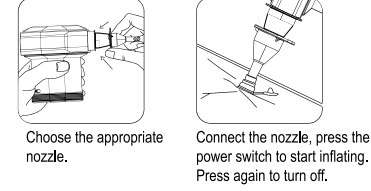
**PUMP COMPONENTS**



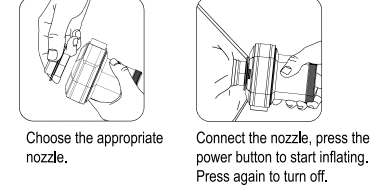
**OPERATION**

- Unlock**
- Remove power switch protector.
  - Press and hold power switch until power indicator flashes green.

**Inflation**



**Deflation**



**To Lock**

- Press and hold power switch until power indicator flashes red.
- Put power switch protector back on.

**POWER INDICATOR**

- When charging, the red light is on.
  - When fully charged, the green light is on.
- During operation:**
- Battery level  $\geq$  40%: green light is on.
  - Battery level  $\leq$  39%: red light is on.
  - Battery level  $\leq$  10%: red light on.
  - Fast blinking 3 times: shutdown.

**TECHNICAL DATA**

<b>Product Size</b>	11x9x10cm // 4.3x3.5x3.9in
<b>Maximum Pressure</b>	0.7 PSI
<b>Maximum Output</b>	450L/min
<b>Maximum Run Time</b>	15min
<b>Charge Time</b>	Approx. 4hrs
<b>Average Power</b>	65W
<b>Battery</b>	3.7V (2,000mAh) Lithium-Ion
<b>Material</b>	ABS Plastic

**Inclusions:**

- Zempire Monstamat/Monstabed Nozzle
- Classic Brass Valve Nozzle
- Boston Valve Nozzle
- Small Inflatable Toy Nozzle
- Type-C Charging Cable
- Power Switch Protector

(a) excludes (to) the extent permitted by applicable law) all conditions and warranties that might otherwise be implied; and (b) limits its liability for breach of any such condition or Guarantee that it cannot exclude together with its liability under the Guarantee, to repairing or replacing the Goods or paying the cost of having the Goods repaired or replaced (at Zempire® Camping Equipment's option).

**Australia Only**

Our goods come with guarantees that cannot be excluded under Australian Consumer Law. You are entitled to a replacement or refund for a major failure and compensation for any other loss or damage. You are also entitled to have the goods repaired or replaced if the goods fail to be of acceptable quality and the failure does not amount to a major failure.

**USA Only**

Some states do not allow the exclusion or limitation of incidental or consequential damages, so the above limitation or exclusion may not apply to you. This warranty gives you specific legal rights, and you may also have other rights which vary from state to state. The consumer has legal rights under applicable national legislation governing the sale of consumer goods and those rights are not affected by the guarantee.

All warranty claim processes are explained on our Zempire® website. Follow the instructions to lodge a warranty claim.

**Sales Offices:**

**New Zealand & Australia**  
Zempire® Camping Equipment  
22525 SE 64th Place, Suite 200  
Kerawa Place, Pukekohe,  
Hamilton, 3200, New Zealand  
Ph: +64 7 848 1610

**USA & Canada**  
Zempire® USA INC.  
6 Karawa Place, Pukekohe,  
Hamilton, WA, 98027  
Ph: +1 206 420 0391

**Designed and tested in New Zealand.**  
Made with care in China.

INS-0251301-000A

**1 YEAR LIMITED WARRANTY**

Please take time to read about the protection we offer you. All our products come with a guarantee designed to protect you as our valued customer. Zempire® Camping Equipment will repair or replace this product, at their discretion, should it fail due to faulty materials or manufacture for a period of 1 year from the date of purchase.

The Guarantee is subject to the following conditions:

- The Guarantee only applies to an original purchaser who purchased this product in an unopened condition from an approved retail outlet.
- The Guarantee does not apply if the product has been used for anything other than reasonable personal uses. Commercial use (e.g. rental or continuous use are expressly excluded.
- Damage due to normal wear and tear, accident, acts of God, negligence (other than by Zempire® Camping Equipment), failure by the purchaser to ensure instructions for setting up and care are observed, deterioration due to abnormal exposure to ultraviolet light, damage from wind, insects, animals or mold/mildew, or any other cause reasonably beyond the control of Zempire® Camping Equipment are not covered.
- If redress is sought under the terms of this Guarantee, then the product must be returned by the purchaser to the outlet from where it was purchased within the Guarantee period, in a clean, dry state and with proof of purchase.
- All transport costs and any other indirect costs are excluded from the Guarantee.
- Zempire® Camping Equipment reserves the right to make a reasonable charge for repairs which it determines are not within the scope of the Guarantee.
- The Guarantee does not limit, modify or exclude any rights under any law if doing so would contravene that law or make any part of this Guarantee invalid.

However, Zempire® Camping Equipment:

**GENERAL CARE**

- Always ensure the Monstapump is charged regularly, even if not in use. This will help retain the battery's memory and ensure long life and continued usability. Lithium-ion batteries must be stored in a charged state, ideally at 40 per cent capacity. This prevents the battery from losing charge and triggering sleep mode. Charging is recommended at least every two months.
- Store in a cool, dry environment.
- This pump is not suitable for inflating air tents.
- Do not immerse the Monstapump in water.
- Take care to keep your Monstapump clean and dry.
- To clean the Monstapump, only use a very mild solution of dishwashing liquid and water. Clean with a soft cloth and dry straight away. Avoid excess water, and do not use harsh cleaning agents or applicators.

This product contains a lithium-ion battery. Do not discard into normal household garbage or landfill. Please contact local recycling facilities to recycle.

**WARNING**

**Indoor Use Only • Store Indoors**

- The batteries cannot be removed or replaced.
- To avoid the risk of electric shock do not use damaged power cords. Damaged power cords should be discarded.
- Motor run time should not exceed 15 minutes. Allow to cool for 15 minutes between uses.
- Children are strictly prohibited from operating the pump.
- Keep inflation and deflation ports free from debris during use.
- Never leave the pump unattended while the pump is in use.
- The appliance must be stored in a dry location.
- This appliance is not intended for use by persons (incl. children) with reduced physical, sensory or mental capabilities or lack of experience and knowledge unless they have been given supervision or instruction concerning use of the appliance by a person responsible for their safety. Children should be supervised to ensure that they do not play with the appliance.
- The appliance is only to be used with the power supply unit provided with the appliance.
- The appliance must only be supplied at safety extra low voltage.
- The battery must be removed from the appliance before it is scrapped.
- The appliance must be disconnected from the supply mains when removing the battery.
- This appliance contains non-replaceable battery.
- The battery is to be disposed of safely.
- WARNING:** To recharge the battery, only use the detachable supply unit provided with this appliance.
- The recommended charging temperature range is 0°C to 32°C/32°F to 89°F.

**IMPORTANT**

Read carefully before operating and save these instructions.

**NOTE:**

The pump must be charged for 8 hours to be fully-charged for the first time.

This pump must be fully charged and discharged for 3 times in the first use to activate the batteries.

**CAUTION**

To avoid the risk of electric shock, do not expose the pump to water or rain. Keep the pump dry. For indoor use only. The air pump can only be used with provided charger.

**WARNING:**

Cancer and Reproductive Harm  
[www.P65Warnings.ca.gov](http://www.P65Warnings.ca.gov)  
If you have any concerns, visit:  
[www.zempire.co.nz/prop65](http://www.zempire.co.nz/prop65)